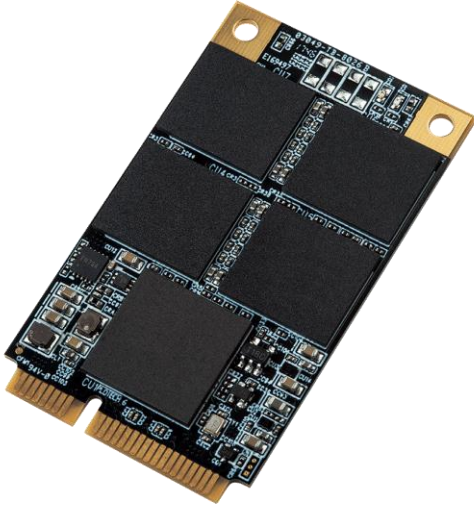


MEMXPRO mSATA E231 Series

1TB high capacity & wide temperature



Features

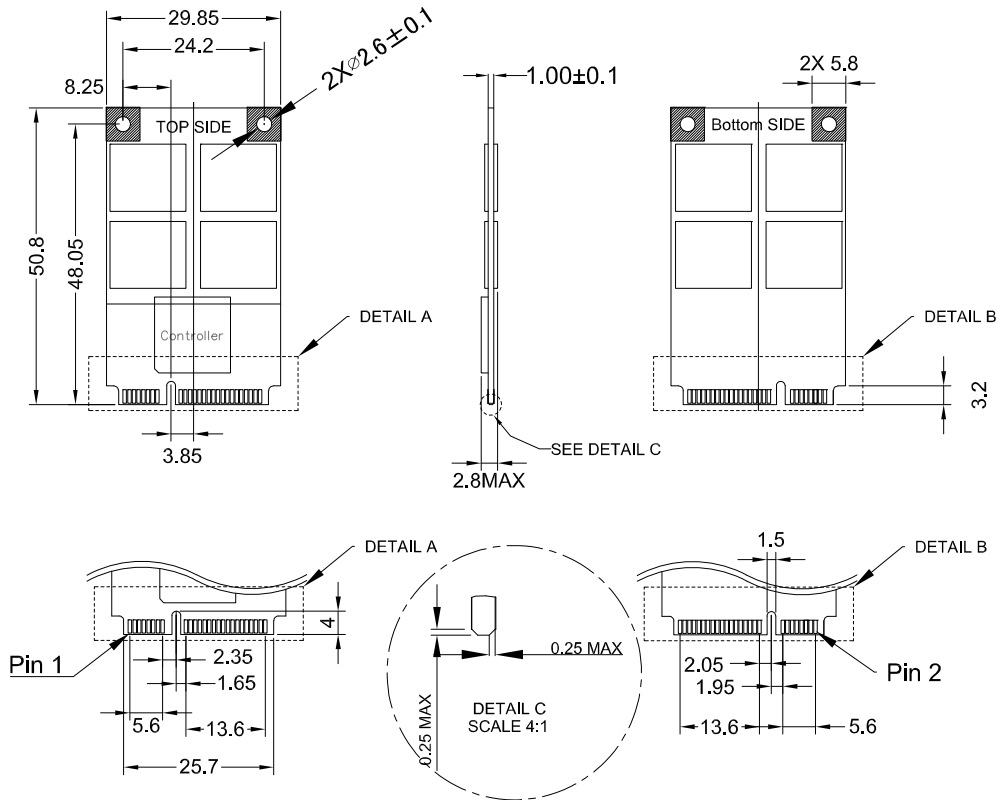
- SATA III, compliant with JEDEC MO-300A
- MLC, up to 1TB capacity
- Extended/wide temp. solutions
- Built-in ECC and OCP/OVP
- NCQ/TRIM/SMART support
- mSMART storage device monitoring

Specification

Product Model	mSATA E231
Interface	SATA III
Form Factor	mSATA (M0300A)
Flash Type	MLC eMMC
Max. Channel	8
Density	512GB-1TB
Sequential R/W (MB/sec, max.)	517/407
Operating Temperature	-25°C~+85°C/-40°C~+85°C
Max. Power Consumption	3.63W (3.3Vx1100mA)
Dimension (L x W x H/mm)	50.8x29.85x3.75
Operating Voltage	3.3V±5%
Storage Temperature	-55°C~+95°C
External DRAM Buffer	N/A
Thermal Sensor	✓
DEVSLP Mode	N/A
ATA Security	✓
S.M.A.R.T.	✓
TRIM	✓
Vibration	20G (7~2K Hz)
Shock Resistance	1500G@0.5ms
MTBF	>3 million hours

Dimensions

Unit: mm



Ordering Information

Capacity	Extended (-25°C~85°C)	Industrial (-40°C~+85°C)
512GB	FEMSS-E1GT2M084E1	FEMSS-E1GT2M084W1
1TB	FEMSS-010T2M088E1	FEMSS-010T2M088W1